

# S20/12

COMPOSITE STAPLE



## S20/12 SERIES STAPLE

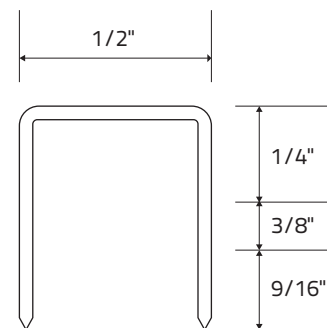
THE S20/12 SERIES OF STAPLES PROVIDE A METAL-FREE FASTENING SOLUTION FOR END USERS WHERE STEEL STAPLES CANNOT BE USED DUE TO CORROSION, RUST, OR MRI AND RF COMPATIBILITY.

ADDITIONALLY, RED HAWK STAPLES ARE SAFE FOR SAW BLADES, SANDING BELTS, ROUTER BITS, PLANER KNIVES AND OTHER WOODWORKING TOOLS AND ACCESSORIES.

ITEM	LENGTH	QTY. PER BOX
S20/12-06	1/4" (6mm)	5,040
S20/12-06 2.5M	1/4" (6mm)	2,520
S20/12-06 1.25M	1/4" (6mm)	1,260
S20/12-10	3/8" (10mm)	5,040
S20/12-10 2.5M	3/8" (10mm)	2,520
S20/12-10 1.25M	3/8" (10mm)	1,260
S/20-14	9/16" (14mm)	5,040

### APPLICATIONS

- WOODWORKING
- LOG TAGGING
- LUMBER TAGGING
- LUMBER WRAPPING
- TIMBER PROCESSING
- PVC MILLWORK
- WOOD BOAT BUILDING
- COMPOSITE FABRICATION



### FASTENER SPECIFICATIONS

**GAUGE:** 20  
**CROWN:** 1/2" (13mm)  
**FASTENERS PER STRIP:** 70  
**FASTENER RANGE:** 1/4", 3/8", 9/16"  
**MATERIAL:** Thermoplastic Resin and Fiberglass

**Red Hawk Fasteners, Inc.**

7302 Cessna Drive • Greensboro, NC 27409

Phone/Fax 336.252.5328 • [info@redhawkfasteners.com](mailto:info@redhawkfasteners.com)

[redhawkfasteners.com](http://redhawkfasteners.com)



---

## ST/20-12

### PRO GRADE

---



#### STAPLER SPECIFICATIONS

**MAGAZINE:** Bottom load  
**FASTENER SIZES:** S20/12 series (1/4", 3/8", 9/16")  
**MAGAZINE CAPACITY:** 70 staples  
**MAXIMUM OPERATING PRESSURE:** 90 psi  
**WEIGHT:** 2.1 lbs.

Made in Germany, this commercial grade stapler is light weight, powerful, and ergonomically designed for operator comfort and durability.

---

## ST/20-12

---



#### STAPLER SPECIFICATIONS

**MAGAZINE:** Bottom load  
**FASTENER SIZES:** S20/12 series (1/4", 3/8", 9/16")  
**MAGAZINE CAPACITY:** 70 staples  
**MAXIMUM OPERATING PRESSURE:** 90 psi  
**WEIGHT:** 1.9 lbs.

Made in Taiwan, this industrial grade stapler is a reliable alternative to the Pro Grade version. The integral trigger safety adds an additional level of comfort to new users and operators to prevent accidental firing without compromising speed.

---

## MT/20-12 PRO GRADE

### MANUAL TACKER

---



#### STAPLER SPECIFICATIONS

**MAGAZINE:** Rear load  
**FASTENER SIZES:** S20/12 series (1/4", 3/8", 9/16")  
**MAGAZINE CAPACITY:** 70 staples  
**WEIGHT:** 1.1 lbs.

The Heavy duty staple gun has a powerful compression spring action to drive plastic staples into wood with precision. All steel construction has an attractive painted finish and hardened steel parts. The ergonomically designed grip and easy squeeze operation allows for extensive use with minimum strain.

---

## MT/20-12

### COMPRESSION STAPLER

---



---

## HT/1211

### HAMMER STAPLER

---

