

S20/12

COMPOSITE STAPLE



S20/12 SERIES STAPLE

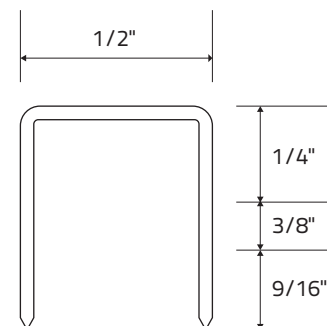
THE S20/12 SERIES OF STAPLES PROVIDE A METAL-FREE FASTENING SOLUTION FOR END USERS WHERE STEEL STAPLES CANNOT BE USED DUE TO CORROSION, RUST, OR MRI AND RF COMPATIBILITY.

ADDITIONALLY, RED HAWK STAPLES ARE SAFE FOR SAW BLADES, SANDING BELTS, ROUTER BITS, PLANER KNIVES AND OTHER WOODWORKING TOOLS AND ACCESSORIES.

ITEM	LENGTH	QTY. PER BOX
S20/12-06	1/4" (6mm)	5,040
S20/12-06 2.5M	1/4" (6mm)	2,520
S20/12-06 1.25M	1/4" (6mm)	1,260
S20/12-10	3/8" (10mm)	5,040
S20/12-10 2.5M	3/8" (10mm)	2,520
S20/12-10 1.25M	3/8" (10mm)	1,260
S/20-14	9/16" (14mm)	5,040

APPLICATIONS

- WOODWORKING
- LOG TAGGING
- LUMBER TAGGING
- LUMBER WRAPPING
- TIMBER PROCESSING
- PVC MILLWORK
- WOOD BOAT BUILDING
- COMPOSITE FABRICATION



FASTENER SPECIFICATIONS

GAUGE: 20
CROWN: 1/2" (13mm)
FASTENERS PER STRIP: 70
FASTENER RANGE: 1/4", 3/8", 9/16"
MATERIAL: Thermoplastic Resin and Fiberglass

Red Hawk Fasteners, Inc.

7302 Cessna Drive • Greensboro, NC 27409

Phone/Fax 336.252.5328 • info@redhawkfasteners.com

redhawkfasteners.com



ST/20-12

PRO GRADE



STAPLER SPECIFICATIONS

MAGAZINE: Bottom load
FASTENER SIZES: S20/12 series (1/4", 3/8", 9/16")
MAGAZINE CAPACITY: 70 staples
MAXIMUM OPERATING PRESSURE: 90 psi
WEIGHT: 2.1 lbs.

Made in Germany, this commercial grade stapler is light weight, powerful, and ergonomically designed for operator comfort and durability.

MT/20-12

COMPRESSION STAPLER



STAPLER SPECIFICATIONS

MAGAZINE: Rear load
FASTENER SIZES: S20/12 series (1/4", 3/8")
MAGAZINE CAPACITY: 70 staples
WEIGHT: 2.2 lbs.

All steel construction, a robust model fortified for field operators that do not have access to compressed air or users that have short run stapling requirements. This manual stapler has been designed with an easy squeeze handle that allows for extended use without fatigue. It has been ergonomically designed for comfort and ease of use. Hardened steel working parts, a retractable driver blade and a rear loading magazine make this a convenient addition to a work bench.

ST/20-12



STAPLER SPECIFICATIONS

MAGAZINE: Bottom load
FASTENER SIZES: S20/12 series (1/4", 3/8", 9/16")
MAGAZINE CAPACITY: 70 staples
MAXIMUM OPERATING PRESSURE: 90 psi
WEIGHT: 1.9 lbs.

Made in Taiwan, this industrial grade stapler is a reliable alternative to the Pro Grade version. The integral trigger safety adds an additional level of comfort to new users and operators to prevent accidental firing without compromising speed.

HT/1211

PRO GRADE HAMMER STAPLER



STAPLER SPECIFICATIONS

MAGAZINE: Rear load
FASTENER SIZES: S20/12 series (1/4", 3/8"),
S16/12, S16/11 series
MAGAZINE CAPACITY: 70 staples
WEIGHT: 2.2 lbs.

The HT1211 Pro Grade Hammer Tacker with the stamped steel balanced housing provides a lightweight design with power to drive staples in logs, plywood, house wrap. The anti-slip soft rubber grip provides comfort and reduces operator fatigue.

